

ELIMINATOR®**SELF SERVICE, MULTI-PURPOSE, RELOADABLE
DRY CHEMICAL FIRE EXTINGUISHER**

Classification 3-A:40-B:C. For industrial, commercial, or residential use.

Tested to ANSI/UL 711, ANSI/UL 299, CAN/ULC-S504, and CAN/ULC-S508 standards and meets or exceeds NFPA 10 guidelines for portable fire extinguishers (www.nfpa.org).

Marine U.S.C.G. Type A Size II, Type B:C Size I.

Marine rating is valid only when the extinguisher is equipped with an approved marine bracket.

**This Owner's Manual includes the following information:**

- ▶ Key Features of the Rusoh® Eliminator® Fire Extinguisher (page 2)
- ▶ Getting Acquainted (pages 2–3)
- ▶ Important Information about Fire Extinguishers (page 4)
- ▶ Installation (pages 4–5)
- ▶ Operating Instructions (page 6)
- ▶ 30-Day Inspection (page 7)
- ▶ Annual Inspection (pages 7–8)
- ▶ Reloading Information (page 9)
- ▶ Eliminator® Disposal Procedure (page 9)
- ▶ Service and Parts Information (page 10)
- ▶ Warranty (page 11)

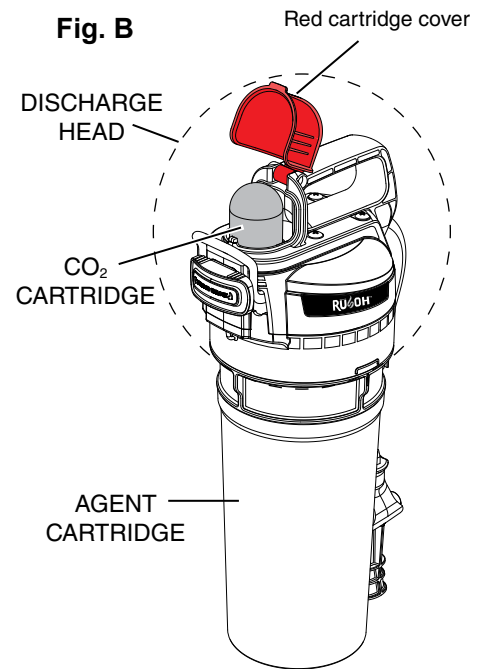
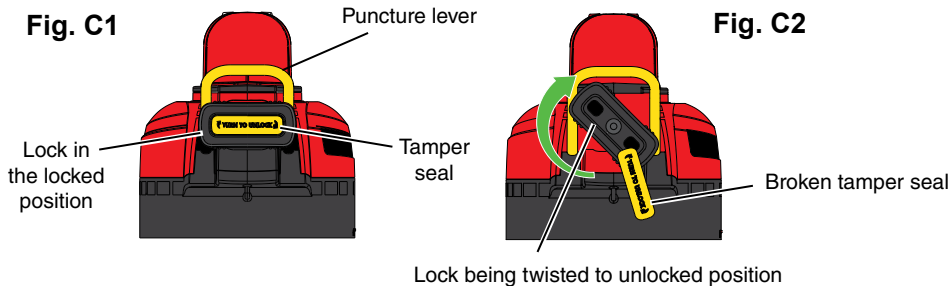
**IMPORTANT! Before installing or using this fire extinguisher:**

- Please carefully read this Owner's Manual and all labels on the fire extinguisher.
- Familiarize yourself and other potential users with the operation of this fire extinguisher. Regularly review the step-by-step instructions, so you will be prepared in the event of a fire. For more information, visit www.rusoh.com.
- **SAVE THIS OWNER'S MANUAL FOR FUTURE REFERENCE.** If you are installing the extinguisher for someone else, a copy of this Owner's Manual must be left with the end user.
- This Eliminator® fire extinguisher must be installed, operated, inspected, reloaded, and discarded in accordance with the instructions supplied with the extinguisher.

DISCHARGE HEAD

The **discharge head** (Fig. B) is factory sealed to the agent cartridge; houses the CO₂ cartridge; provides the means to carry the extinguisher and to puncture the CO₂ cartridge; and, when pressurized, routes the extinguishing agent to the hose.

The **lock** (Fig. C1) on the discharge head prevents inadvertent puncturing of the CO₂ cartridge. To pressurize the unit, twist the lock in either direction to a vertical position until the yellow **tamper seal** (Fig. C2) breaks and falls off. Puncture the CO₂ cartridge by pushing the yellow **puncture lever** down. **IMPORTANT:** If the tamper seal is broken, disturbed, or missing, you must perform the Annual Inspection procedure on the extinguisher (see pages 7-8).



CO₂ CARTRIDGE

The **CO₂ cartridge** is a removable component filled with compressed liquid CO₂ (HMIS 1-0-3). For the Safety Data Sheet (SDS), refer to www.rusoh.com.

Squeeze the ribbed sides of the red cartridge cover and lift it open to access the CO₂ cartridge (Fig. B).

⚠ DANGER!

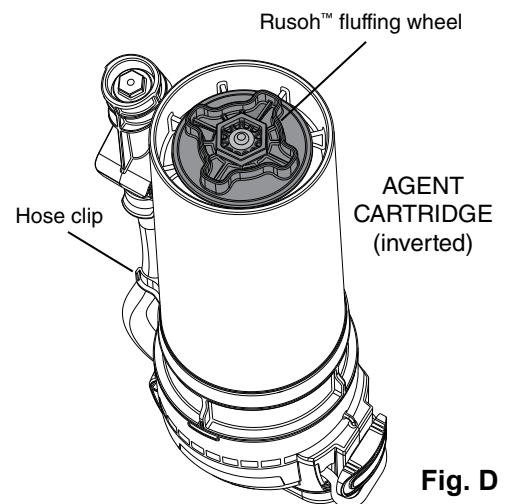
- CO₂ cartridge is under high pressure. Do not puncture or damage the CO₂ cartridge.
- Do not heat or locate the CO₂ cartridge near a heat source, such as an engine or stove.
- Discharge from the CO₂ cartridge is very cold and can cause frostbite.

AGENT CARTRIDGE

The **agent cartridge** contains 6 pounds of Eliminator™ multi-purpose dry chemical extinguishing agent that includes monoammonium phosphate, mica, talc, and amorphous silica (HMIS 1-0-0). The extinguishing agent is nontoxic. Refer to www.rusoh.com for the SDS.

The **Rusoh™ fluffing wheel** is on the bottom of the agent cartridge (Fig. D). Turning the wheel stirs or “fluffs” the dry chemical agent ensuring that it is in a free-flowing state and ready for use.

The **hose clip** on the agent cartridge keeps the hose and valve assembly stationary. It also glows in the dark. When charged by natural or artificial lighting, it will provide luminescence in dark areas for up to eight hours.



VALVE ASSEMBLY

The **valve assembly** (Fig. A) consists of the **hose**, **valve lever**, and **valve nozzle**. The hose carries the extinguishing agent from the discharge head to the valve. The valve lever provides on/off control of the extinguishing agent. The valve nozzle is designed to direct the extinguishing agent slightly downward, allowing the user to focus the discharge at the base of the fire.

IMPORTANT INFORMATION ABOUT FIRE EXTINGUISHERS

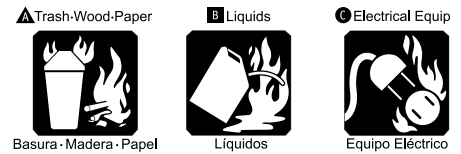
Fire extinguishers are to be installed, inspected, and disposed in accordance with all applicable laws and regulations, the owner's manual supplied with the extinguisher, instructions marked on the extinguisher, NFPA 10, and National Fire Code of Canada.

All fire extinguishers are classified and rated by the type and size of fire they are able to extinguish. This Eliminator® fire extinguisher is a multi-purpose, dry chemical fire extinguisher with an **ABC** rating.

Class A Appropriate for common combustible materials such as paper, cardboard, and wood.

Class B Appropriate for flammable liquids, such as oil, gasoline, and kerosene.

Class C Appropriate for electrical equipment, such as appliances, outlets, wiring, and circuit boards. **NOTICE:** Agent will cause damage to sensitive electronics as decomposition byproducts are corrosive.



INSTALLATION

Refer to NFPA 10 and local building codes for placement and spacing requirements for extinguishers with a 3-A:40-B:C rating. Before placing the extinguisher into service, remove all packaging material.

1. Determine where the extinguisher should be located, keeping the following in mind:
 - Install in an easily accessible location, preferably near an exit.
 - Install in a location where temperatures do not go below -40°F (-40°C) or above 120°F (49°C).
 - As required by NFPA 10, this fire extinguisher must be hung so the top of the extinguisher is no more than 5 feet above the floor.
 - Never install the extinguisher near a heat source.
2. Fill out the inspection tag provided with your extinguisher.
 - Indicate the date inspected.
 - Write down the model and serial numbers, which can be found on the white label on the back of the discharge head.
 - Initial.
3. Fasten the inspection tag below the lock to the tag loop using the provided cable tie (Fig. E).
4. Secure the hose by pushing it into the hose clip until it snaps into position.
5. Fluff the agent cartridge per the Annual Inspection instructions (see pages 7-8).



Fig. E

WALL MOUNT INSTRUCTIONS

Mounting hardware included:

Wall mount, 2 long screws, 3 short screws, 3 anchors, extra tamper seal

NOTICE: The Eliminator® extinguisher weighs approximately 12 pounds. Be sure to mount the extinguisher on a wall where you have adequate support. A wall stud is recommended.*

1. Determine the desired location for the extinguisher wall mount. Find a wall stud at that height, if possible, and mark the center of the stud with a pencil.
2. Position the back of the wall mount (Fig. F) against the wall, with the logo “Eliminator” facing up, and align the top center hole of the mount with the mark on the wall from step 1.
3. Ensure the bottom edge of the wall mount is level. For stud attachment, mark the top and bottom center holes. For wallboard installation, mark the bottom and two side holes (Fig. F). Set wall mount aside.
4. For stud attachment, predrill the top center and bottom pilot holes using a 3/32" bit. Attach wall mount to stud using the two long screws provided.

Alternatively, for wallboard mounting, predrill the bottom and two side pilot holes with a 3/16" bit. Insert the three wall anchors provided into the pilot holes. Using a screwdriver, turn the wall anchors clockwise into the pilot holes until the anchors are flush with the wall (Fig. G).

Position the wall mount against the wall, aligning the mounting holes with the anchors. Insert the three short screws provided through the wall mount and into the wall anchors. Tighten the screws to secure the mount. **NOTICE:** Do not overtighten as wall anchor threads will strip.

Check to make sure the mount is securely installed by pressing down on the mount ledge (Fig. G). If it rocks, tighten the screws.

5. With the instruction label facing out, hook extinguisher handle over wall mount (Fig. H). For compact storage, grasp the hose with one hand and the valve with the other and rotate the valve counterclockwise until the valve lever faces the wall, as shown in Fig. H.

Fig. H

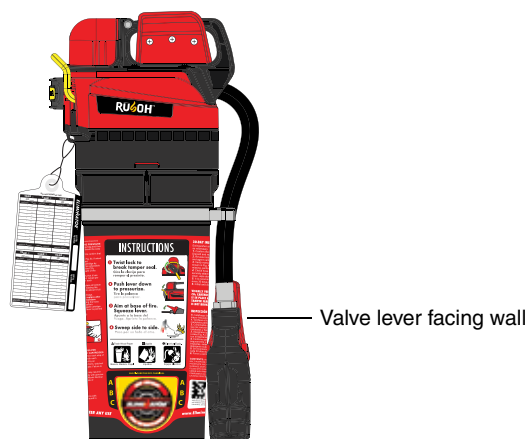


Fig. F

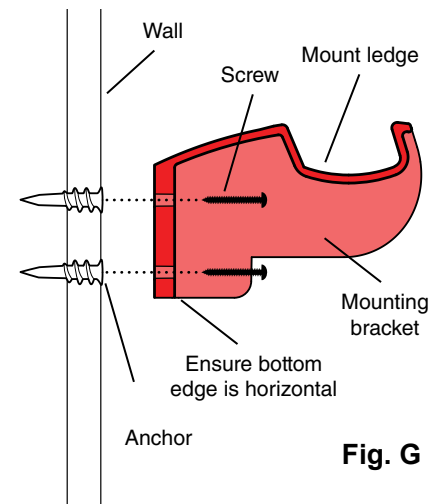
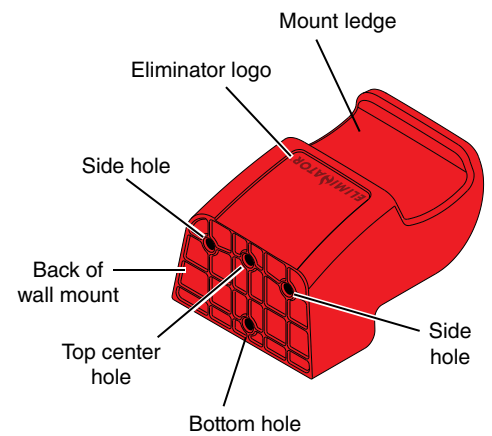
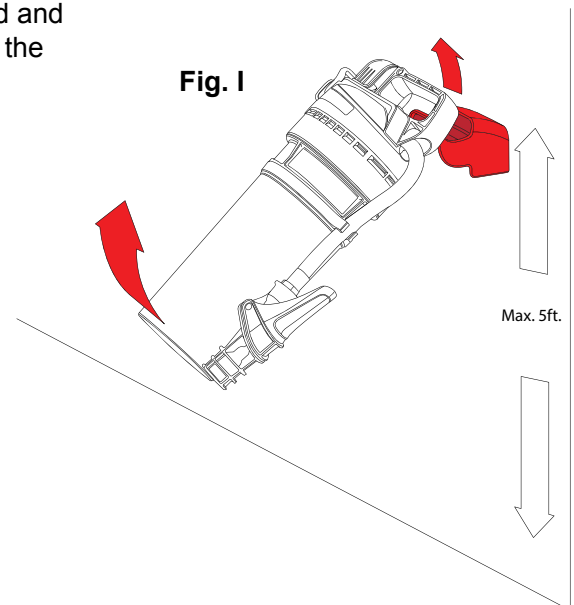


Fig. G

Fig. I



NOTE: The wall mount is designed to hold the extinguisher securely in place. Once the extinguisher is hooked onto the wall mount, in order to remove it from the mount, swing the agent cartridge out away from the wall and then lift extinguisher up off of mount (Fig. I).

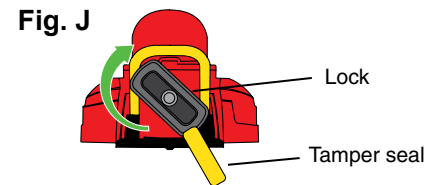
*The Eliminator® fire extinguisher can also be mounted in a fire extinguisher cabinet. Please verify fit as cabinet sizes vary.

OPERATING INSTRUCTIONS (Remember T-P-A-S-S)

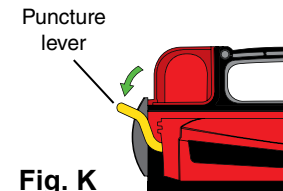
IMPORTANT: Any potential users of the Eliminator® extinguisher should be trained and familiar with the unit and its operation prior to an emergency!

Remove the extinguisher from wall mount by swinging bottom out away from wall and then lift extinguisher up off of mount (Fig. I, page 5).

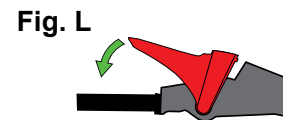
T **TWIST** the lock in either direction to a vertical position to break the tamper seal (Fig. J). Broken seal will fall away.



P **PUSH** the puncture lever down to pressurize the extinguisher (Fig. K). You will hear a “whooshing” sound as the unit comes up to pressure. Grasp the valve nozzle and pull the hose out of the hose clip.

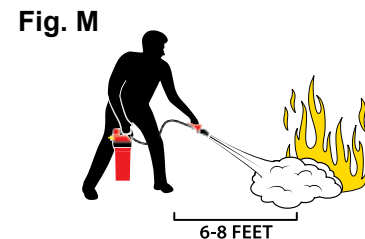


A **AIM** the valve nozzle at the base of the fire.



S **SQUEEZE** the valve lever (Fig. L).

S **SWEEP** the valve nozzle side to side to extinguish the fire (Fig. M). Once the fire is extinguished, monitor the area closely to be sure the fire does not reignite.



WARNING! Stand 6 to 8 feet away from fire.

⚠ DANGER! If fire begins to spread or if you are unable to get within 8 feet of it because of smoke and heat, evacuate the area immediately and call the Fire Department.

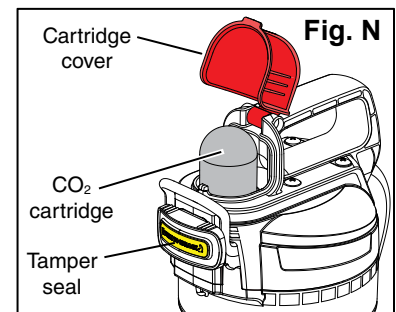
Immediately after the extinguisher has been discharged, discard the agent and CO₂ cartridges following the Disposal Procedure described on page 9. Replace both cartridges according to the instructions provided with the Eliminator® Reloading Kit.

For more information on using the Eliminator® fire extinguisher to extinguish fires, visit www.rusoh.com.

30-DAY INSPECTION

IMPORTANT: Extinguishers shall be inspected monthly. More frequent inspections are recommended for extinguishers located in an area where they can be easily damaged or vandalized.

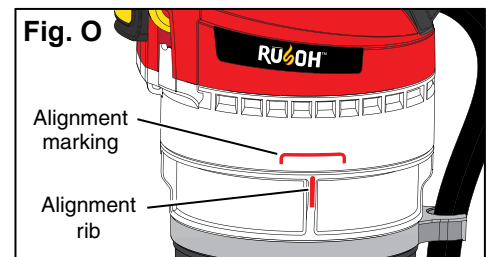
1. Confirm the fire extinguisher is where it should be.
2. Visually inspect the exterior of the extinguisher.
 - Check for dents, scratches, or damage. Discard and replace any damaged components.
 - Review instructions on unit for legibility. New labels can be ordered, if needed, see page 10.



3. Squeeze the ribbed sides of the red CO₂ cartridge cover and lift it open (Fig. N). Verify that the CO₂ cartridge is installed and secure. If it is loose, perform Annual Inspection (see instructions below and on page 8).

NOTE: The CO₂ cartridge has reverse threads, so it turns opposite of normal threaded components.

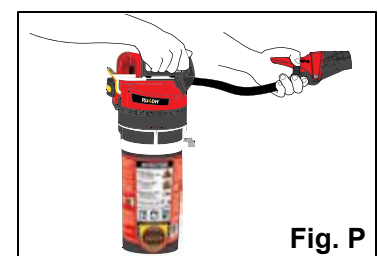
4. Ensure the agent cartridge is securely attached to the discharge head. The red alignment rib on the agent cartridge should be within the red alignment marking on the discharge head (Fig. O). If it is not, you are required to follow the Reloading Procedure supplied with the Eliminator[®] Reloading Kit, to determine if the agent cartridge needs to be replaced.**
5. Confirm the manufacturer tamper seal on the lock is not broken (it should be in the position shown in Fig. N). If the tamper seal is broken, disturbed, or missing, perform the Annual Inspection procedure. Instructions for Annual Inspection begin at the bottom of this page.
6. Check hose and valve nozzle to ensure that they are securely attached, undamaged, and unobstructed. To clean, wipe down with damp cloth and mild detergent only. Do not use cleaners containing chlorine.
7. Keeping the extinguishing agent in a free flowing state assures optimum product performance in the event of a fire. It is thus recommended that you fluff the agent cartridge prior to placing into service and every 30 days by rotating the Rusoh[™] wheel on the bottom of the unit a few times. For fluffing instructions, follow step 4 of the Annual Inspection procedure beginning at the bottom of this page.
8. Initial inspection tag and indicate date 30-day inspection was completed.



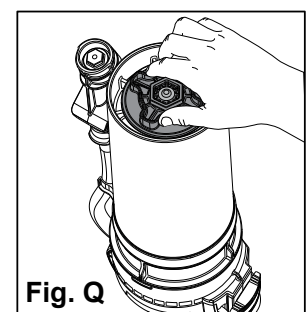
ANNUAL INSPECTION

1. Remove extinguisher from wall mount.

⚠ WARNING! Verify that the extinguisher is not pressurized. Aim the nozzle upwards into a large garbage bag. Then slowly squeeze the hose valve lever (Fig. P). Valve lever should be easy to squeeze and should return to original position. Replace valve assembly if it does not function as stated.



2. Visually inspect the extinguisher for damage using the procedure outlined in step 2 of the 30-Day Inspection instructions. To replace a damaged CO₂ or agent cartridge, refer to the Eliminator[®] Reloading Procedure supplied with each Eliminator[®] Reloading Kit. For other repairs, refer to the Self Service Manual.
3. Heft to confirm that unit feels full. If you are unsure if it is full, weigh unit. The minimum gross weight for the extinguisher (with CO₂ cartridge) should be 11.8 pounds (5.35 kilograms). If the unit is below the indicated weight, both the agent cartridge and CO₂ cartridge will need to be replaced. Follow the instructions supplied with the reloading kit.
4. Turn the Rusoh[™] wheel, located on the bottom of the unit (Fig. Q), back and forth several times until the wheel turns freely. Then turn the wheel about 3 full rotations by hand to fluff the agent cartridge. **NOTE:** This step is equivalent to a 6-year teardown of stored pressure fire extinguishers.



**For more information, visit www.rusoh.com.

IMPORTANT: If wheel cannot be turned by hand, the agent cartridge should be replaced.

The fluffing procedure can be done with the unit removed from the wall mount and inverted (Fig. Q), or it can be done while the extinguisher is hanging on the wall mount by simply swinging the agent cartridge out from the wall (Fig. R).

NOTE: If inspecting multiple extinguishers, instead of turning each Rusoh™ wheel by hand, you may wish to purchase a fluffing wrench (see page 10) or use a power driver (cordless drill) to fluff the agent. If using a fluffing wrench, place the wrench over the wheel and turn it in either direction about 3 full rotations. If using a power driver, use a 1.25-inch (32-mm) socket and set the slip torque to 8 foot-pounds maximum.

5. Squeeze the ribbed sides of the red CO₂ cartridge cover and lift it open. Remove CO₂ cartridge by twisting cartridge **clockwise**. A strap wrench or adjustable pliers may be needed if the cartridge is snug.

NOTE: The CO₂ cartridge has reverse threads, so it turns opposite of normal threaded components.

NOTICE: If an adjustable pliers is used to loosen the CO₂ cartridge, place a cloth over the cartridge before using the pliers. This will protect it from marring from the teeth of the pliers.

6. After removal, inspect the CO₂ cartridge and verify that it has not been punctured (Fig. S). If the CO₂ cartridge is unpunctured, skip to step 7 below.

If the CO₂ cartridge is punctured, discard it (see Disposal Procedure on page 9). The extinguisher must be reloaded. Follow the Eliminator® Reloading Procedure supplied with each Eliminator® Reloading Kit.

7. Ensure lock is in the horizontal (locked) position (Fig. U).

Lift up red CO₂ cartridge cover. Use a flashlight to verify the red CO₂ cartridge gasket is in place in bottom of threaded opening (Fig. T).

Reinstall CO₂ cartridge by rotating it **counterclockwise** (reverse threads) about 8 full rotations until tight. The use of a strap wrench is recommended.

NOTE: If extinguisher is mounted in a bracket PN 40-393 or PN 40-404, use a strap wrench (Fig. U) to turn the CO₂ cartridge an additional ¼ turn past hand tight.

8. Ensure the agent cartridge is securely attached to the discharge head. The red alignment rib on the agent cartridge should be within the red alignment marking on the discharge head (Fig. O, page 7). If it is not, it is recommended that you follow the Reloading Procedure supplied with the Eliminator® Reloading Kit to determine if the agent cartridge needs to be replaced.

9. Replace tamper seal if it is damaged or missing (Fig. N, page 7).

NOTE: An extra tamper seal is supplied with the mounting hardware.

10. Review the manufacture year (MFR 20##) marked on the agent cartridge, discharge head, and valve nozzle (see locations shown in Fig. V). **Discard the extinguisher after 12 years, according to the Eliminator® Disposal Procedure (see page 9), and replace with a new Eliminator® extinguisher immediately.**

11. Secure the hose by pushing it into the hose clip until it snaps into position.

12. Position the extinguisher back on wall mount. For compact storage, grasp the hose with one hand and the valve with the other and rotate the valve counterclockwise until the valve lever faces the wall, as shown in Fig. H, page 5.

13. Initial inspection tag and indicate date annual inspection was completed.

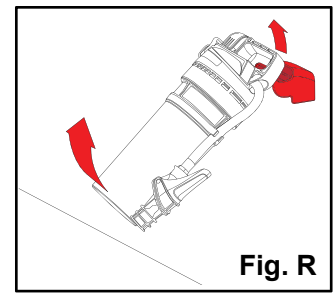


Fig. R

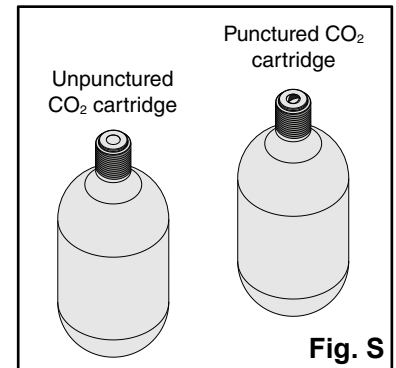


Fig. S

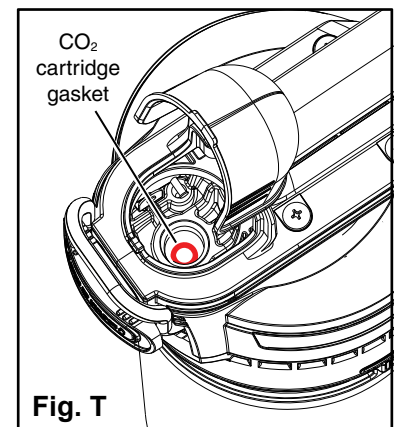


Fig. T

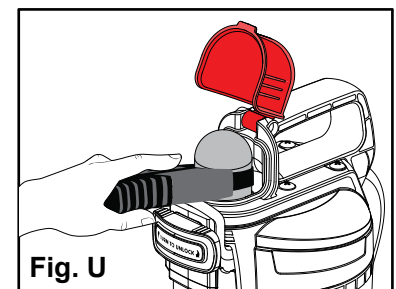


Fig. U

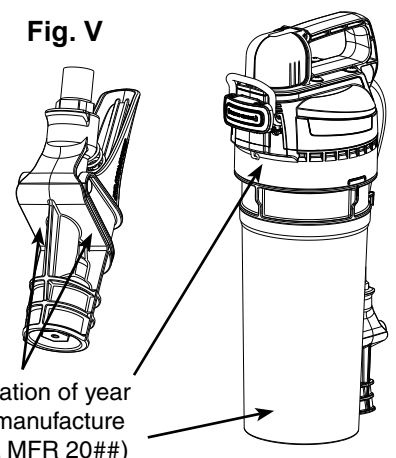



Fig. V

RELOADING INFORMATION

After each use, the Eliminator® fire extinguisher must be reloaded with a new CO₂ cartridge and a new agent cartridge.


NOTICE: DO NOT remove the agent cartridge unless unit is discharged and it requires reloading. Uninstalling and then reinstalling the same agent cartridge could contaminate the sealing ring and potentially reduce the effectiveness of the Eliminator® fire extinguisher.

 **WARNING!** DO NOT refill and attempt to reuse the agent cartridge. It is designed to be factory filled and factory sealed to meet performance specifications.

Uninstalling and then reinstalling or refilling the agent cartridge will void your warranty.

- To reload, follow each step of the Eliminator® Reloading Procedure supplied with each reloading kit.
- **IMPORTANT:** The Reloading Procedure must be performed by an individual who has read the reloading kit instructions or watched the reloading kit video.
- **CAUTION!** Failure to comply with the Eliminator® Reloading Procedure will void the warranty and may result in property damage and/or bodily harm. **Reload only with the genuine Eliminator® Reloading Kit for your Eliminator® model number.**
- Immediately after the extinguisher has been discharged, discard the agent and CO₂ cartridges following the disposal procedure described below. Replace both cartridges according to the instructions provided with the Eliminator® Reloading Kit.
- If the CO₂ cartridge or agent cartridge is damaged, replace the cartridge according to the instructions supplied with the reloading kit.
- Your Rusoh® Eliminator® extinguisher (with the CO₂ cartridge) weighs 11.8 pounds or 5.35 kilograms. The weight is marked on the discharge head.
Heft the extinguisher. If it feels light, weigh it. If it is below the indicated weight, both the agent cartridge and CO₂ cartridge will need to be replaced. Follow the instructions supplied with the reloading kit.
- If the CO₂ cartridge is punctured, reload according to the Eliminator® Reloading Procedure supplied with each reloading kit.
- To order an Eliminator® Reloading Kit, call 1-800-318-2944 or visit www.rusoh.com.

ELIMINATOR® DISPOSAL PROCEDURE

 **DANGER!** If extinguisher is damaged and has not been discharged, do NOT pressurize unit or puncture CO₂ cartridge.

IMPORTANT: Disposal must be performed in strict compliance with state and local waste disposal policies. Please contact your local waste disposal center, recycling center, hazardous waste authorities, or the Rusoh Customer Service Department at 1-800-318-2944 for details. You can also search Earth911.com for a recycling solution near you. **Do not dispose of the Eliminator® fire extinguisher in a regular trash receptacle.**

1. If the Eliminator® fire extinguisher has been used and is undamaged, take it outside to verify that it has been fully discharged. Follow the T-P-A-S-S instructions on page 6, even if you believe that you have previously discharged the unit. Aim the discharge near trees or bushes that have a higher resistance to acidic-type fertilizer. Avoid flowers and grasses.
2. Remove the CO₂ cartridge from the Eliminator™ discharge head and confirm that it is punctured. If it is not, return cartridge to the unit and repeat the discharge procedure outlined in step 1 above.
3. Place the punctured CO₂ cartridge in any recycling bin that accepts metals.
4. Place extinguisher in a plastic recycling receptacle.

CUSTOMER SERVICE INFORMATION

If you have any questions regarding the operation of your Eliminator® fire extinguisher, contact us by any of these methods:

- Call 1-800-318-2944 weekdays 8:00 AM to 4:00 PM (Central Time)
- Email us at contact@rusoh.com
- Write: RUSOH, Inc.
Customer Service Department
3925 North Hastings Way
Eau Claire, WI 54703-3703

When contacting the Customer Service Department, please indicate the model and serial numbers for the extinguisher. These numbers can be found on the white label on the back of the discharge head.

Please record this information:

Model Number _____ Serial Number _____ Date Purchased _____

Inquiries will be answered promptly by telephone, email, or letter. When emailing or writing, please include a phone number and a time when you can be reached during weekdays.

REPLACEMENT PARTS

The following replacement parts can be ordered at www.rusoh.com:

- Fluffing Wrench PN 81-524
- Inspection Tag PN 76-213
- Tamper Seal PN 31-438
- Instruction Label PN 68-442
- Wall Mount PN 81-501 (replacement for mount PN 40-392)
- Marine Bracket[‡] PN 85-995 (replacement for PN 40-393 and PN 40-404)

NOTE: Marine rating is valid only when the extinguisher is equipped with an approved marine bracket.

The following manuals are available in PDF format only and can be downloaded at www.rusoh.com:

- Self Service Manual PN 76-410 (will include full list of service items)
- Owner's Manual PN 76-212

For reloading, order one reload kit for each discharged extinguisher. A wrench set is required to perform the reloading procedure.

- Reload Kit PN 85-994
- Wrench Set* PN 81-500

*Includes one cartridge wrench and one bar wrench for performing reloading procedure.

[‡]The marine bracket secures the Eliminator® extinguisher with a quick-release strap to prevent movement and/or dislodging for mobile applications, horizontal installations, and other locations requiring fully constrained mounting.

LIMITED WARRANTY

Rusoh, Inc. warrants to the original owner of this Eliminator® fire extinguisher that should there be any defects in material and workmanship during the first eight (8) years after purchase, we will repair or replace the extinguisher at our option. Our warranty does not apply to normal wear and tear, misuse, abuse, accidents, theft, exposure to harsh chemicals, product modification, shipping damage, or improper maintenance, handling, or reloading. It also does not apply to components intended for a single use, such as the seal, CO₂ cartridge, and agent cartridge.

To obtain warranty services, please call 1-800-318-2944. If instructed, please send your product(s) to the Rusoh, Inc. Customer Service Department; shipping costs will be your responsibility. Be sure to include your name, address, phone number, contact information, date of purchase, and a description of the issue(s).

We want you to obtain maximum security from this Rusoh, Inc. product and ask that you read and follow all the instructions enclosed and/or on our website. Failure to follow the instructions will void this warranty.

All implied warranties including, but not limited to, fitness for purpose and merchantability are limited in duration to the general warranty terms set forth above.

Except as stated above, Rusoh, Inc. makes no other warranties of any kind, whether express or implied, for the Eliminator® line of extinguishers. Rusoh, Inc. does not assume or authorize any other person to assume for it liability in connection with the sale of its products. Rusoh, Inc. shall not be liable for any consequential, incidental, punitive, or special damages. Some states do not allow the exclusion or limitation of incidental or consequential damages, so the above limitations or exclusions may not be applicable to you.

This warranty gives you specific legal rights, and you may have additional rights, varying from state to state.



A product of
RUSOH^{INC.}
www.rusoh.com